



Manufacturer and Supplier of  
**Restaurant Equipment**  
 and **Display Cases**  
 for the Food Service Industry



# MODEL: SC-48-LB

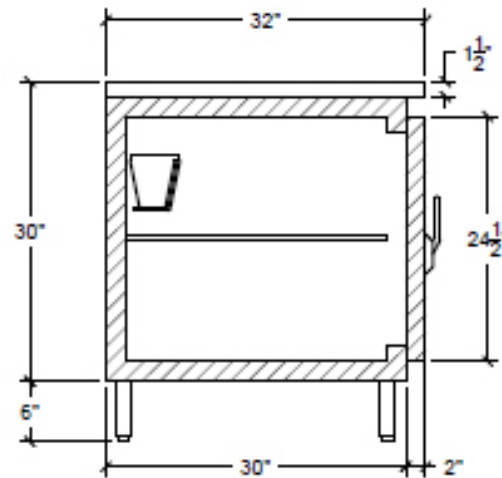
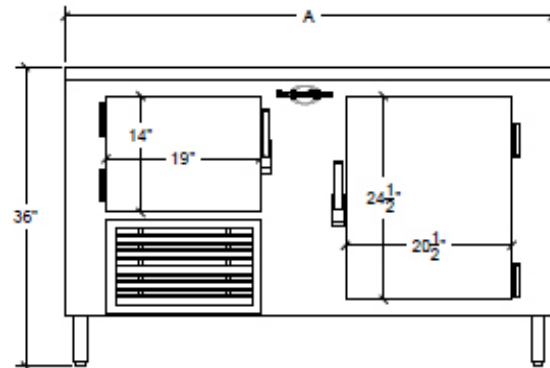
## PRODUCT FEATURES

Work top/Undercounter cooler

- Stainless Steel front
- 1 1/2 pull out Stainless Steel doors
- Self-contained
- Heavy duty stainless steel top
- Interior lighting
- Holds 33°-41°F temperatures
- Compressor can be serviced easily
- Environmentally friendly 134A refrigerant
- 1/4 HP, 115V, 7.5 Amps

## CUSTOM SIZES AVAILABLE

- |                   |                         |
|-------------------|-------------------------|
| Casters           | 5" Casters Optional     |
| Warranty          | 1 yr Parts & Compressor |
| Front Door        | Stainless Steel         |
| Front Motor Cover | Anodized Aluminum       |
| Interior Walls    | Stainless Steel         |
| Outside Back      | Galvanized              |



### Product Specifications

Dimensions	Doors	Shelves	Cooling Cycle	Refrigerant	HP	Power	Ampr.	BTU	Freon (oz)
48" x 32" x 36"	1 1/2	1	33-41	134a	1/3	115/60/1	7.5	900	11.5

### Additional Models

Model #	Doors	Shelves	Cooling Cycle	Refrigerant	HP	Power	Ampr.	BTU	Freon (oz)
SC-27-LB	1	1	33-41	134a	1/4	115/60/1	8	850	10
SC-60-LB	1 1/2	1	33-41	134a	1/3	115/60/1	8.5	900	11.5
SC-72-LB	2 1/2	2	33-41	134a	1/3	115/60/1	9	1150	11.5

\* Model number designates product length. Due to product improvement, we reserve the right to change specifications without notice.